



## The all-purpose enclosure

The profi-set enclosure system 267 is characterized by its extraordinary versatility.



# profi set 267

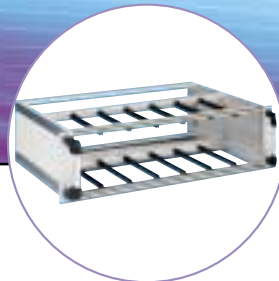
1 design principle – 3 models – 1 layout!



Profi-set desktop enclosure



19" profi-set plug-in enclosure



19" profi-set subrack

### profi-set enclosure system 267

- universal enclosure system, can be used as a
  - desktop enclosure
  - 19" plug-in enclosure
  - 19" subrack
- panels, front handles or 19" angle brackets can be mounted on the enclosure
- other installation widths and models are available on request
- IP 20/30 degree of protection in compliance with IEC 529
- installation dimensions in compliance with IEC 297-3
- Outer dimensions in compliance with IEC 297-1

Matching partial front panels → see p. 5.67

Matching plug-in modules → see p. 5.75

The compact construction allows the enclosure to be used as a desktop enclosure, 19" plug-in unit or 19" subrack. As your application needs change, you can use the available accessories to transform the enclosure without having to buy a new one.



## Specifications

### Application:

The universal profi-set enclosure system 267 is ideal for a variety of applications. Because of its special design, it can be used as a desktop enclosure, 19" plug-in enclosure and 19" subrack.

### Construction:

two stylish aluminium side extrusions with 10mm mounting grid, module rails, aluminium cover pieces (ventilated or solid) and extrusion finishing elements.

### Finish:

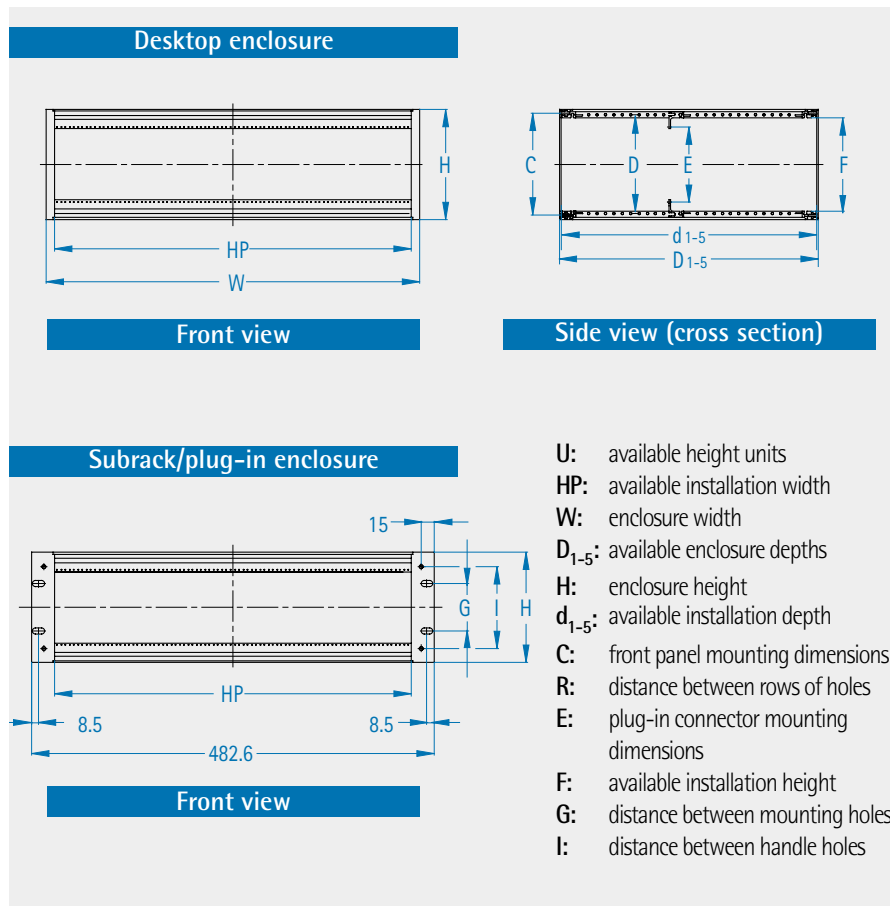
Top/bottom panel, cover strips and rear panel:  
RAL 7035 light grey  
Side panels: anodized

### Degree of protection:

IP 20/30

### Delivery:

kit form, not assembled



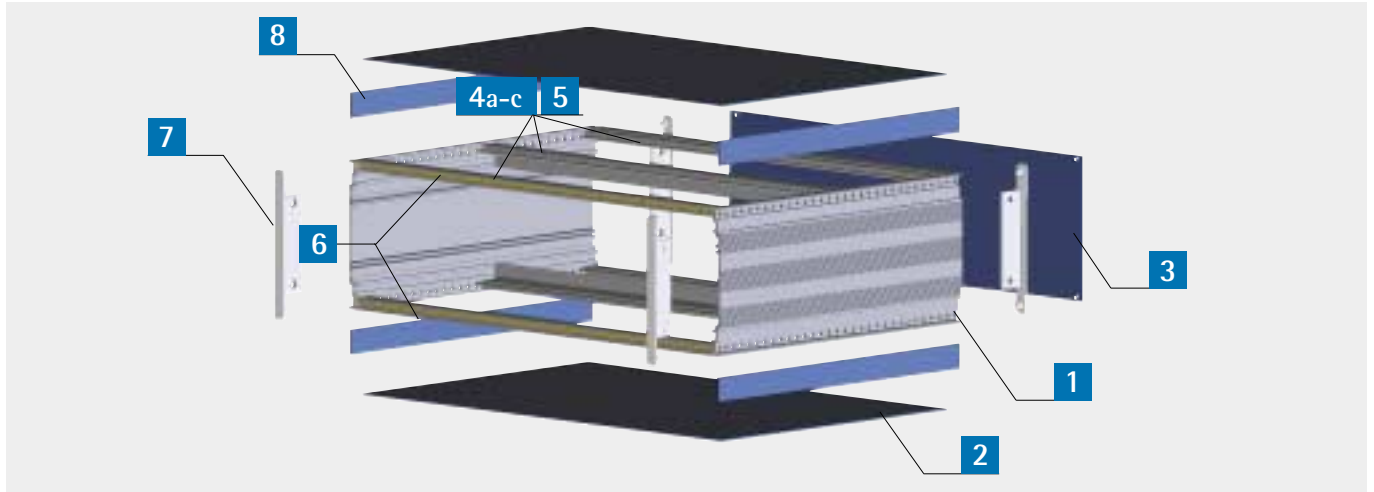
## Available sizes

U	HP	W mm	D <sub>1</sub> mm	D <sub>2</sub> mm	D <sub>3</sub> mm	D <sub>4</sub> mm	D <sub>5</sub> mm	H mm	C mm	R mm	E mm	F mm	G mm	I mm
2	84	448.0	231	271	311	351	451	88	78	75	-	68	-	53.5
	63	341.2	-	271	-	-	-							
	42	234.5	231	271	311	-	-							
	28	163.4	-	271	-	-	-							
3	84	448.0	231	271	311	351	451	132.5	122.5	118.5	90	112.5	57	98
	63	341.2	-	271	-	-	-							
	42	234.5	231	271	311	-	-							
	28	163.4	-	271	-	-	-							
4	84	448.0	231	271	311	351	451	177	167	164	-	157	101.5	142.5
	63	341.2	-	271	-	-	-							
	42	234.5	231	271	311	-	-							
	28	163.4	-	271	-	-	-							
5	84	448.0	231	271	311	351	451	221.5	211.5	208.5	-	201.5	146	187
	63	341.2	-	271	-	-	-							
	42	234.5	231	271	311	-	-							
	28	163.4	-	271	-	-	-							
6 double row	84	448.0	231	271	311	351	451	266	256	253	2 x 90	246	190,5	231.5
	63	341.2	-	271	-	-	-							
	42	234.5	231	271	311	-	-							
	28	163.4	-	271	-	-	-							

Note: D<sub>1-5</sub>: enclosure depths d: available enclosure depth d<sub>1-5</sub> = D<sub>1-5</sub> - 2.5mm



Included in delivery



Item	Description	2 U	3 U	4 U	5 U	6 U
1	Side panel	2	2	4	4	4
2	Top/bottom shell (ventilated/not ventilated)	2	2	2	2	2
3	Rear wall (ventilated/not ventilated)	1	1	1	1	1
4a	Module rail, standard, type 240-022	4	4	4	4	4
4b	Module rail with integrated mounting rail and notch, type 267-019	-	2	-	-	2
4c	Module rail, narrow, type 240-016	2	-	2	2	-
5	Support rail with integrated mounting rail	-	-	-	-	1
6	Threaded insert, M2.5	2	2	2	2	2
7	Cover bracket, front and rear (plastic)	4	4	8	8	8
8	Decorative strips, side	4	4	8	8	8
9	Assembly material, incl. 4 base feet	1 set	1 set	1 set	1 set	1 set

Order information

Dimensions			IP 20 with ventilation holes in floor panel and rear panel					IP 30 without ventilation holes				
			U	HP	W mm	D = 231 mm	D = 271 mm	D = 311 mm	D = 351 mm	D = 451 mm	D = 231 mm	D = 271 mm
2	84	448.0	267-151	267-161	267-171	267-181	267-191	267-101	267-111	267-121	267-131	267-141
	63	341.2	-	267-162	-	-	-	-	267-112	-	-	-
	42	234.5	267-153	267-163	267-173	-	-	267-103	267-113	267-123	-	-
	28	163.4	-	267-164	-	-	-	-	267-114	-	-	-
3	84	448.0	267-301	267-311	267-321	267-331	267-341	267-201	267-211	267-221	267-231	267-241
	63	341.2	-	267-312	-	-	-	-	267-212	-	-	-
	42	234.5	267-303	267-313	267-323	-	-	267-203	267-213	267-223	-	-
	28	163.4	-	267-314	-	-	-	-	267-214	-	-	-
4	84	448.0	267-651	267-661	267-671	267-681	267-691	267-601	267-611	267-621	267-631	267-641
	63	341.2	-	267-662	-	-	-	-	267-612	-	-	-
	42	234.5	267-653	267-663	267-673	-	-	267-603	267-613	267-623	-	-
	28	163.4	-	267-664	-	-	-	-	267-614	-	-	-
5	84	448.0	267-751	267-761	267-771	267-781	267-791	267-701	267-711	267-721	267-731	267-741
	63	341.2	-	267-762	-	-	-	-	267-712	-	-	-
	42	234.5	267-753	267-763	267-773	-	-	267-703	267-713	267-723	-	-
	28	163.4	-	267-764	-	-	-	-	267-714	-	-	-
6 single row	84	448.0	267-851	267-861	267-871	267-881	267-891	267-801	267-811	267-821	267-831	267-841
	63	341.2	-	267-862	-	-	-	-	267-812	-	-	-
	42	234.5	267-853	267-863	267-873	-	-	267-803	267-813	267-823	-	-
	28	163.4	-	267-864	-	-	-	-	267-814	-	-	-



Accessories

Cover bracket, plastic



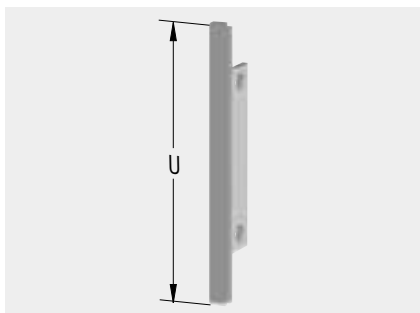
- for expanding the enclosure to a desktop enclosure (clips on)

**Material:** plastic

**Note:** Plastic cover brackets are already included with the basic enclosure!

U	H mm	Part no. (pair)
2	88	267-001
3	132.5	267-002
4	177	-
5	221.5	-
6	266	-

Cover bracket, aluminium

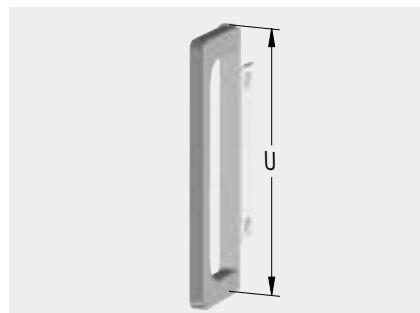


- for expanding the enclosure to a desktop enclosure (can be attached with screws)
- incl. assembly material

**Material:** anodized aluminium

U	H mm	Part no. (pair)
2	88	267-032
3	132.5	267-033
4	177	267-034
5	221.5	267-035
6	266	267-036

Cover bracket with handle

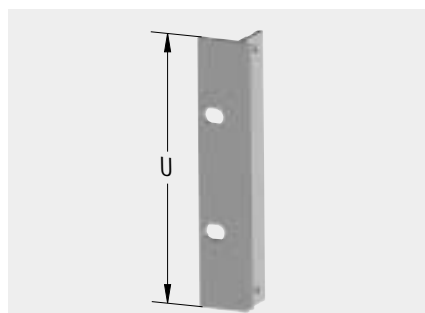


- for expanding the enclosure to a desktop enclosure (can be attached with screws)
- incl. assembly material

**Material:** anodized aluminium

U	H mm	Part no. (pair)
2	88	267-052
3	132.5	267-053
4	177	-
5	221.5	-
6	266	267-056

19" front bracket

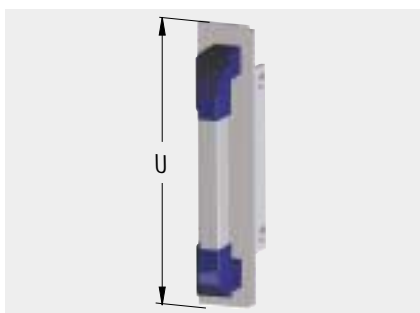


- for expanding the enclosure to a 19" plug-in enclosure or subrack
- incl. assembly material

**Material:** anodized aluminium

U	H mm	Part no. (pair)
2	88	267-012
3	132.5	267-013
4	177	267-014
5	221.5	267-015
6	266	267-016

19" front bracket with 3-piece handle

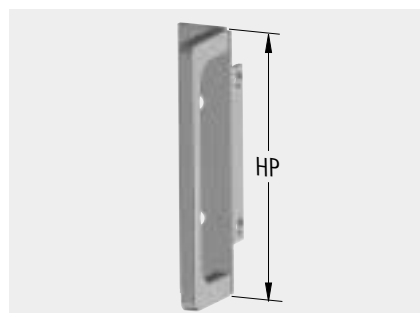


- for expanding the enclosure to a 19" plug-in enclosure or subrack
- incl. assembly material

**Material:** End piece, plastic  
Handle piece, anodized aluminium

U	H mm	Part no. (pair)
2	88	267-062
3	132.5	267-063
4	177	267-064
5	221.5	267-065
6	266	267-066

19" front bracket with aluminium handle



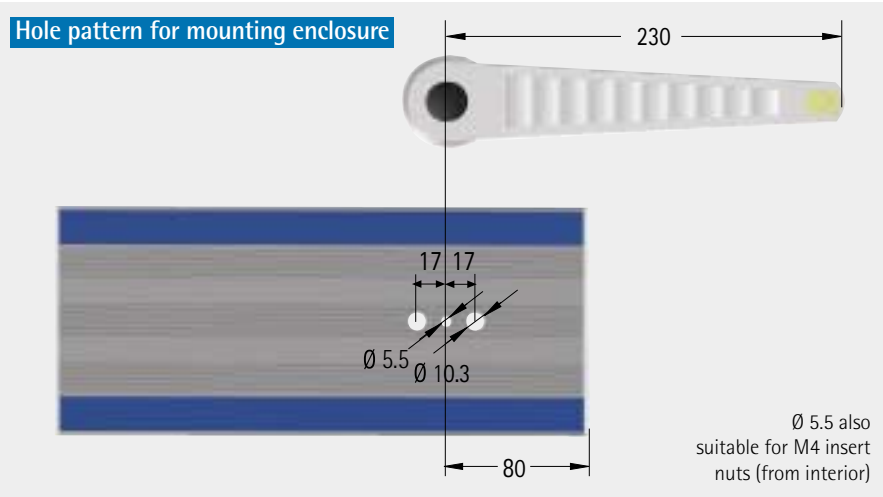
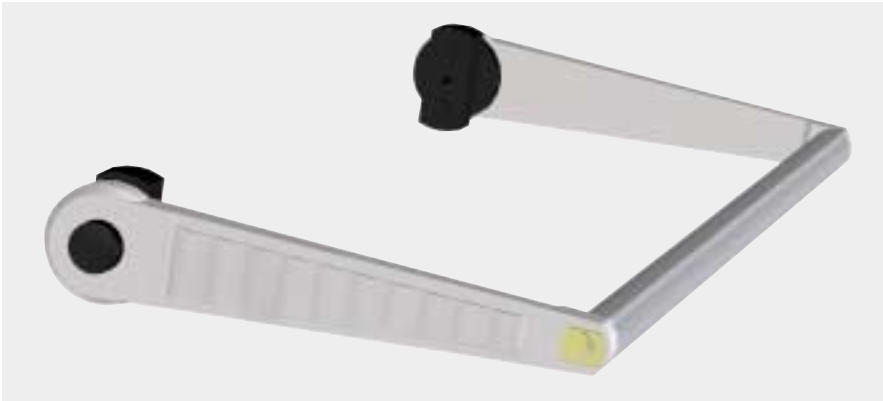
- for expanding the enclosure to a 19" plug-in enclosure or subrack
- incl. assembly material

**Material:** anodized aluminium

U	H mm	Part no. (pair)
2	88	267-072
3	132.5	267-073
4	177	-
5	221.5	-
6	266	267-076



Accessories



**Prop-up and carrying handle**

- can be used with all enclosures: Tamago, apraline, profi-set, Zenith
- suitable for all 3 U and 4 U enclosures
- handle can be set 30° by pressing a button to snap it into place

**Specifications**

**Application:**  
apra-norm's stylish prop-up and carrying handle can be used with all 19" and desktop enclosures. It is highly stable and has a concise design.

**Carrying capacity:** up to 50kg

**Material:**

Handle extrusion: aluminium extrusion  
Metal handle, attachments, adapter: die-cast zinc

**Finish:**

Metal handle: RAL 9005 deep black  
Handle extrusion: anodized  
Button, screw covers: plastic, black

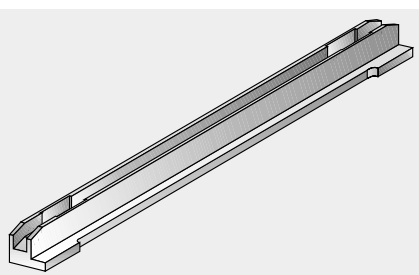
**Delivery:**

mounted to the enclosure (280)

Handle with adapter for enclosure models	Enclosure width		
	84 HP	63 HP	42 HP
266/267	26-6100-84	26-6100-63	26-6100-42
280	28-0100-84	28-0100-63	28-0100-42
285	28-5100-84	28-5100-63	28-5100-42

Other widths available on request.

**Card guide**



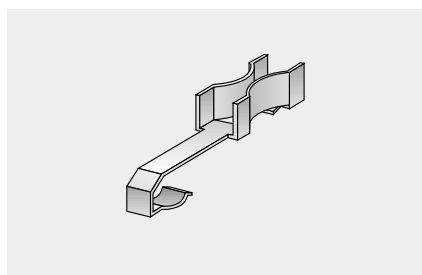
- for 160mm-long Europe cards

**Material:**

plastic, grey  
listed in compliance with UL 94 V-1

<b>Part no. (1 piece)</b>
240-401

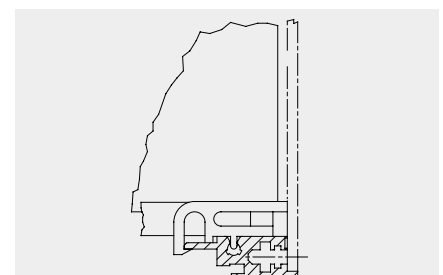
**Contact spring for card guide**



- creates a conductive connection between the PCB and module rail
- clips onto card guide 240-401

<b>Part no. (1 piece)</b>
24-0400-00

**Card securing device**



- for fastening single plug-in cards to prevent them from falling out
- snaps into place easily

<b>Part no. (1 piece)</b>
250-716